

## Ball valve types 127, 179–184



**Type 127**  
With electric actuator EA15



**Type 179–184**  
With electric actuators EA25, EA45 and EA120

### Product description

#### Type 127

The Type 127 is designed for automated standard applications with no special demands. The ball valve type is based on the ball valve type 546 and the electric actuator EA15.

#### Type 179–184

The 179–184 series is designed as modular adjustable ball valves for applications which demand special process requirements. Ball valves are based on the ball valve type 546 and the electric actuators EA25, EA45 and EA120, respectively.

#### Applications

- Chemical process industry
- Water treatment
- Microelectronics
- Measurement and control
- Ship building
- Food & beverage

### Benefits/features

#### Type 127

- Electrical feedback with additional limit switches of different designs integrated into the actuator or multifunction module
- Integrated emergency manual override
- Optional: Fail-safe return unit with or without integrated battery pack

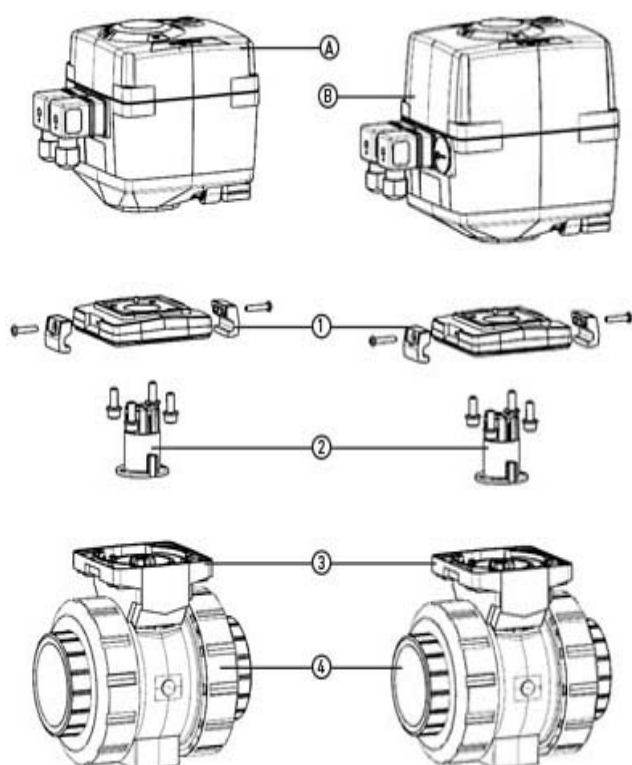
#### Type 179–184

- Electrical feedback with additional limit switches of different designs integrated into the actuator or in the multifunction module (optional 4-20 mA with Positioner)
- Rotation angle up to 355°; Preset to 0°-90°
- Up to 3 freely selectable stop positions (open/middle/close)
- Integrated emergency manual override
- Optional: Fail-safe return unit with or without integrated battery pack
- Optional: Cycle time monitoring
- Optional: Cycle counter
- Optional: Cycle time extension
- Optional: Motor current monitoring

### Flow media

Neutral and aggressive media with a small amount of particles/solids. The chemical resistance is independent of the selected valve material (see list of chemical resistance from GF Piping Systems).

## Technical data



C	Description
A	Actuator type EA15
B	Actuator type EA25/EA45/EA120
1	Adapter plate with clamps
2	Coupling with screws
3	Multifunctional module
4	Ball valve type 546

## Specification

<b>Dimensions</b>	Type 127	EA15	d16/DN10 – d63/DN50
	Type 179–184	EA25	d16/DN10 – d63/DN50
		EA45	d75/DN65
		EA120	d90/DN80 – d11/DN100
<b>Base type</b>	Type 546		
<b>Materials</b>	Type 127, 179–184	PVC-U, PVC-C, ABS, PP-H, PVDF	
<b>Seal materials</b>		EPDM, FPM, FFKM, NBR	
<b>Pressure levels</b>		PN10	
<b>Connections</b>		Socket, spigot, flanges, threaded socket	
<b>Connection standards</b>	ISO, BS, ASTM, JIS		

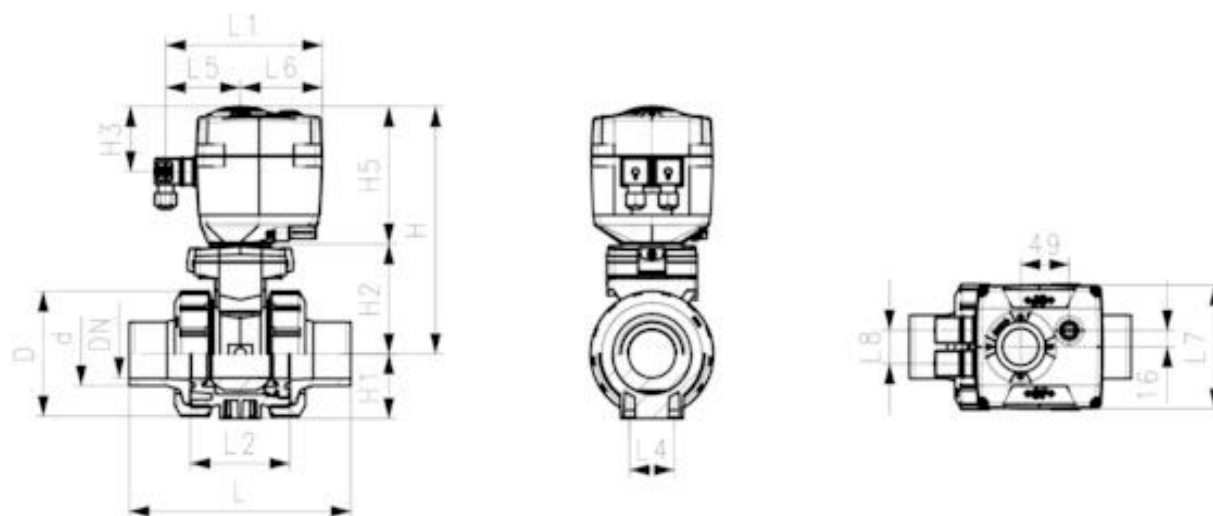


The following technical data can be found in the Planning Fundamentals under "Ball valve type 546, hand-operated":

- Pressure-temperature diagram
- Pressure loss
- Flow characteristics
- Kv values
- Reference values for fastening screws

## Dimensions

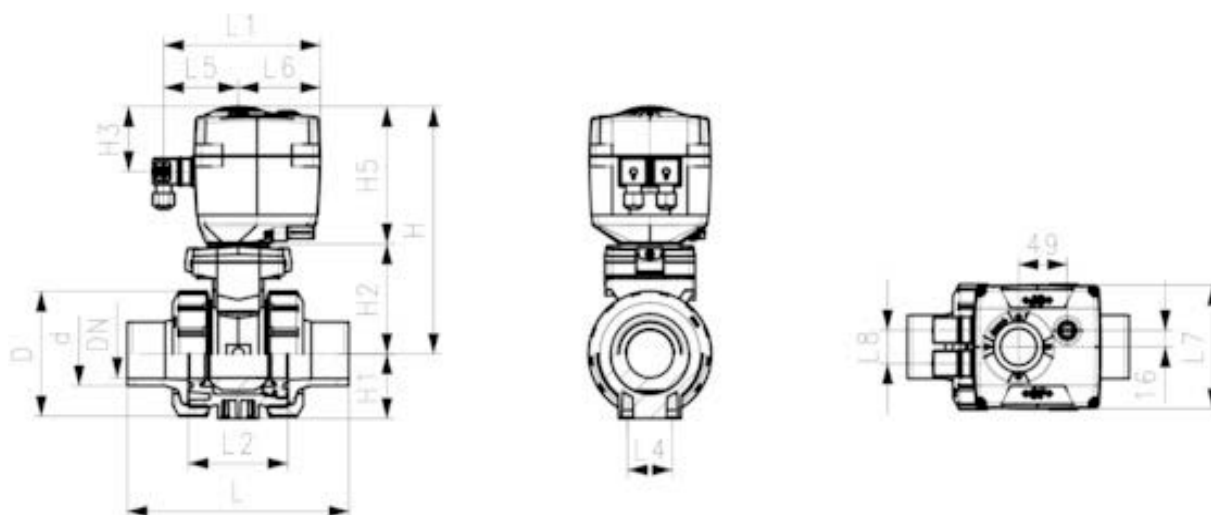
### Type 127 solvent cement sockets



d (mm)	DN (mm)	D (mm)	H (mm)	H1 (mm)	H2 (mm)	H3 (mm)	H5 (mm)
16	10	50	200	27	64	64	137
20	15	50	200	27	64	64	137
25	20	58	209	30	73	64	137
32	25	68	209	36	73	64	137
40	32	84	220	44	84	64	137
50	40	97	220	51	84	64	137
63	50	124	243	64	106	64	137

L (mm)	L1 (mm)	L2 (mm)	L4 (mm)	L5 (mm)	L6 (mm)	L7 (mm)	L8 (mm)	z (mm)
92	161	56	25	77	83	122	33	64
95	161	56	25	77	83	122	33	64
110	161	65	25	77	83	122	33	72
123	161	71	25	77	83	122	33	79
146	161	85	45	77	83	122	33	94
157	161	89	45	77	83	122	33	95
183	161	101	45	77	83	122	33	107

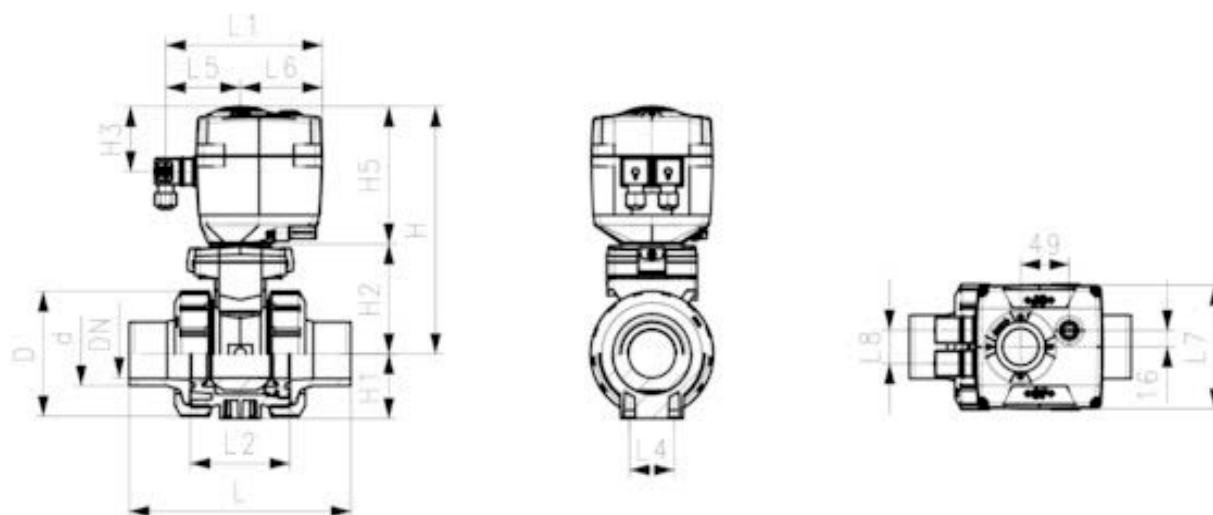
### Type 127 solvent cement spigot



d (mm)	DN (mm)	D (mm)	H (mm)	H1 (mm)	H2 (mm)	H3 (mm)	H5 (mm)
16	10	50	200	27	64	64	137
20	15	50	200	27	64	64	137
25	20	58	209	30	73	64	137
32	25	68	209	36	73	64	137
40	32	84	220	44	84	64	137
50	40	97	220	51	84	64	137
63	50	124	243	64	106	64	137

L (mm)	L1 (mm)	L2 (mm)	L3 (mm)	L4 (mm)	L5 (mm)	L6 (mm)	L7 (mm)	L8 (mm)
114	161	56	130	25	77	83	122	33
124	161	56	130	25	77	83	122	33
144	161	65	150	25	77	83	122	33
154	161	71	160	25	77	83	122	33
174	161	85	180	45	77	83	122	33
194	161	89	200	45	77	83	122	33
224	161	101	230	45	77	83	122	33

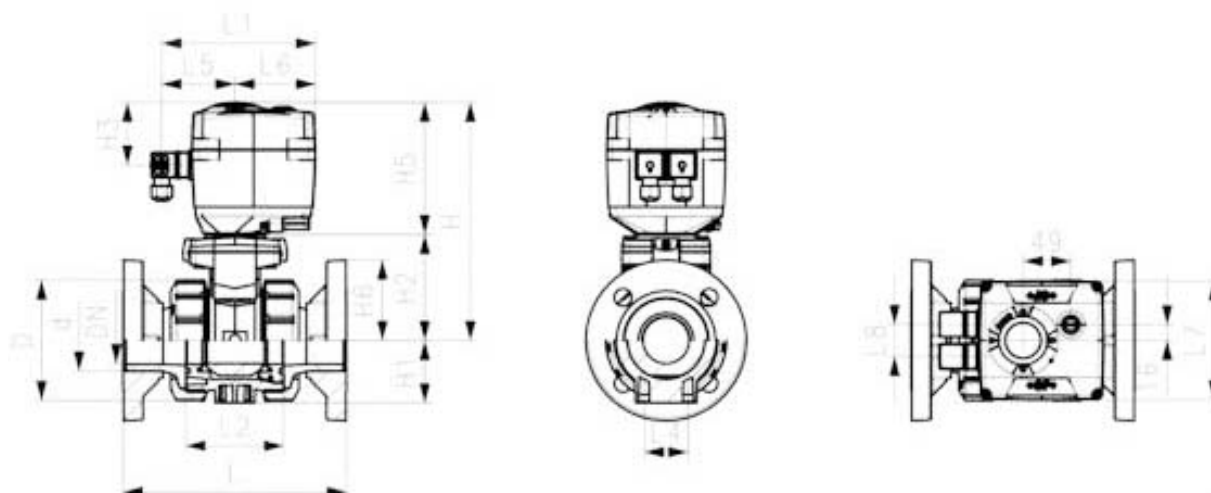
### Type 127 threaded socket Rp



Rp Zoll	DN (mm)	D (mm)	H (mm)	H1 (mm)	H2 (mm)	H3 (mm)	H5 (mm)
3/8	10	50	200	27	64	64	137
1/2	15	50	200	27	64	64	137
3/4	20	58	209	30	73	64	137
1	25	68	209	36	73	64	137
1 1/4	32	84	220	44	84	64	137
1 1/2	40	97	220	51	84	64	137
2	50	124	243	64	106	64	137

L (mm)	L1 (mm)	L2 (mm)	L4 (mm)	L5 (mm)	L6 (mm)	L7 (mm)	L8 (mm)	z (mm)
92	161	56	25	77	83	122	33	64
95	161	56	25	77	83	122	33	64
110	161	65	25	77	83	122	33	72
123	161	71	25	77	83	122	33	79
146	161	85	45	77	83	122	33	94
157	161	89	45	77	83	122	33	95
183	161	101	45	77	83	122	33	107

**Type 127 with fixed flange serrated, metric**

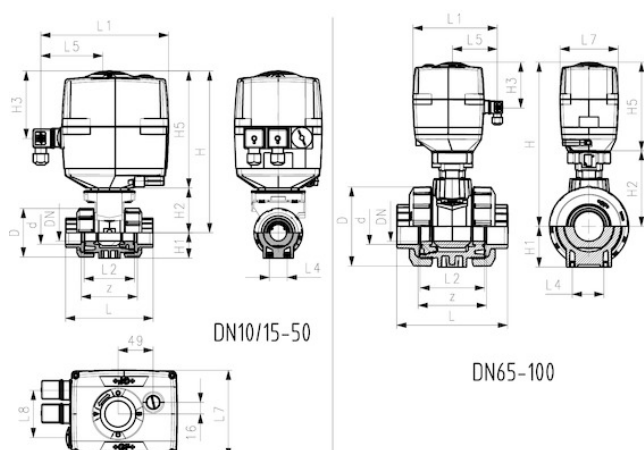


d (mm)	DN (mm)	D (mm)	H (mm)	H1 (mm)	H2 (mm)	H3 (mm)	H5 (mm)	H6 (mm)
20	15	50	201	27	64	65	138	48
25	20	58	210	30	73	65	138	53
32	25	68	210	36	73	65	138	58
40	32	84	221	44	84	65	138	70
50	40	97	221	51	84	65	138	75
63	50	124	244	64	106	65	138	83

L (mm)	L1 (mm)	L2 (mm)	L3 (mm)	L4 (mm)	L5 (mm)	L6 (mm)	L7 (mm)	L8 (mm)
124	160	56	130	25	77	83	122	33
144	160	65	150	25	77	83	122	33
154	160	71	160	25	77	83	122	33
174	160	85	180	45	77	83	122	33
194	160	89	200	45	77	83	122	33
224	160	101	230	45	77	83	122	33

### Type 179–184 with solvent cement sockets, metric

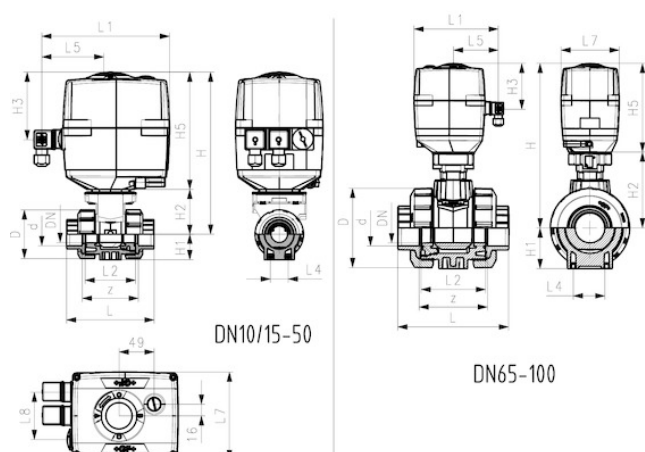


d (mm)	DN (mm)	D (mm)	H (mm)	H1 (mm)	H2 (mm)	H3 (mm)	H5 (mm)
16	10	50	231	27	64	94	167
20	15	50	231	27	64	94	167
25	20	58	240	30	73	94	167
32	25	68	240	36	73	94	167
40	32	84	251	44	84	94	167
50	40	97	251	51	84	94	167
63	50	124	273	64	106	94	167
75	65	166	346	85	156	94	190
90	80	200	358	105	168	94	190
110	100	238	365	123	175	94	190

L (mm)	L1 (mm)	L2 (mm)	L4 (mm)	L5 (mm)	L6 (mm)	L7 (mm)	z (mm)
92	180	56	25	97	83	122	64
95	180	56	25	97	83	122	64
110	180	65	25	97	83	122	72
123	180	71	25	97	83	122	79
146	180	85	45	97	83	122	94
157	180	89	45	97	83	122	95
183	180	101	45	97	83	122	107
233	180	136	70	98	83	122	144
254	180	141	70	98	83	122	151
301	180	164	120	98	83	122	174

### Type 179–184 with solvent cement spigots, metric

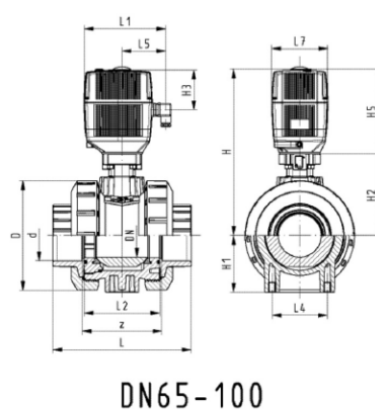
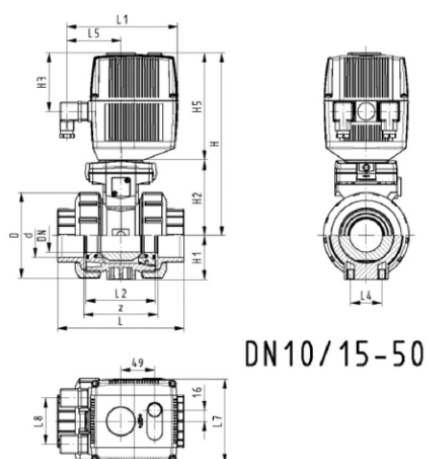


d (mm)	DN (mm)	D (mm)	H (mm)	H1 (mm)	H2 (mm)	H3 (mm)	H5 (mm)
16	10	50	231	27	64	94	167
20	15	50	231	27	64	94	167
25	20	58	240	30	73	94	167
32	25	68	240	36	73	94	167
40	32	84	251	44	84	94	167
50	40	97	251	51	84	94	167
63	50	124	273	64	106	94	167
75	65	166	346	85	156	94	190
90	80	200	358	105	168	94	190
110	100	238	365	123	175	94	190

L (mm)	L1 (mm)	L2 (mm)	L4 (mm)	L5 (mm)	L6 (mm)	L7 (mm)
114	180	56	25	97	83	122
124	180	56	25	97	83	122
144	180	65	25	97	83	122
154	180	71	25	97	83	122
174	180	85	45	97	83	122
194	180	83	45	97	83	122
224	180	101	45	97	83	122
284	180	136	70	98	83	122
300	180	141	70	98	83	122
340	180	164	120	98	83	122



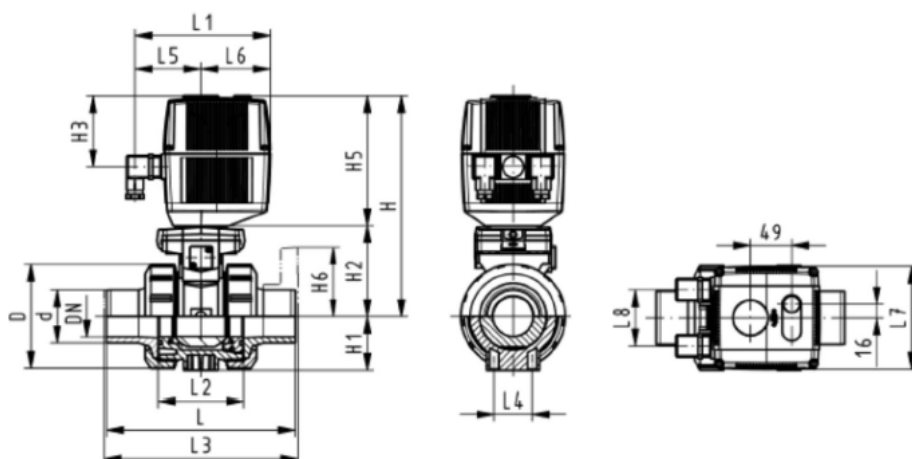
### Type 179–184 with threaded sockets Rp



Rp Inch	DN (mm)	D (mm)	H (mm)	H1 (mm)	H2 (mm)	H3 (mm)	H5 (mm)
3/8	10	50	231	27	64	94	167
1/2	15	50	231	27	64	94	167
3/4	20	58	240	30	73	94	167
1	25	68	240	36	73	94	167
1 1/4	32	84	251	44	84	94	167
1 1/2	40	97	251	51	84	94	167
2	50	124	273	64	106	94	167
2 1/2	65	166	346	85	156	94	190
3	80	200	358	105	168	94	190
4	100	238	365	123	175	94	190

L (mm)	L1 (mm)	L2 (mm)	L4 (mm)	L5 (mm)	L6 (mm)	L7 (mm)	z (mm)
92	180	56	25	97	83	122	64
95	180	56	25	97	83	122	64
110	180	65	25	97	83	122	72
123	180	71	25	97	83	122	79
146	180	85	45	97	83	122	94
157	180	89	45	97	83	122	95
183	180	101	45	97	83	122	107
233	180	136	70	98	83	122	144
254	180	141	70	98	83	122	151
301	180	164	120	98	83	122	174

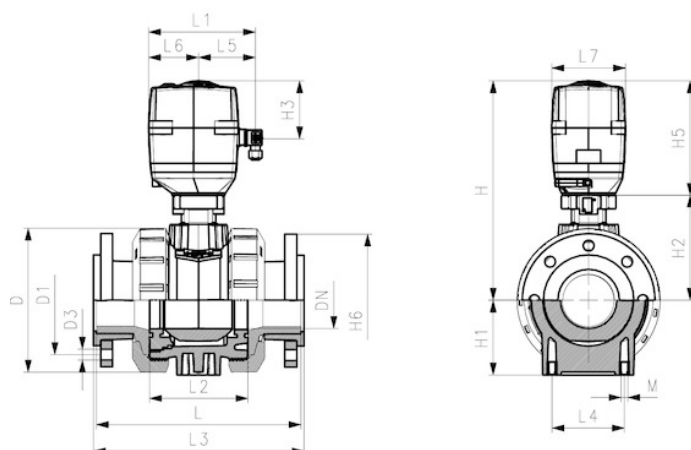
Type 179–184 with fixed flange serrated, metric



d (mm)	DN (mm)	D (mm)	H (mm)	H1 (mm)	H2 (mm)	H3 (mm)	H5 (mm)	H6 (mm)
20	15	50	231	27	64	94	167	48
25	20	58	240	30	73	94	167	53
32	25	68	240	36	73	94	167	58
40	32	84	251	44	84	94	167	70
50	40	97	251	51	84	94	167	75
63	50	124	273	64	106	94	167	83

L (mm)	L1 (mm)	L2 (mm)	L4 (mm)	L5 (mm)	L6 (mm)	L7 (mm)	L8 (mm)
124	180	56	25	98	83	122	66
144	180	65	25	97	83	122	66
154	180	71	25	97	83	122	66
174	180	85	45	97	83	122	66
194	180	89	45	98	83	122	66
224	180	101	45	97	83	122	66

## Type 179–184 backing flanges PP ST, metric



d (mm)	DN (mm)	D (mm)	H (mm)	H1 (mm)	H2 (mm)	H3 (mm)	H5 (mm)	H6 (mm)
75	65	166	346	85	156	94	190	93
90	80	200	358	105	168	94	190	100
110	100	238	365	123	175	94	190	110

L (mm)	L1 (mm)	L2 (mm)	L3 (mm)	L4 (mm)	L5 (mm)	L6 (mm)	L7 (mm)	L8 (mm)
284	180	136	290	70	98	83	122	66
300	180	141	310	70	98	83	122	66
340	180	164	350	120	98	83	122	66

### Accessories

EA15 / EA25 / EA45 / EA120 / EA250:

- Fail-safe return unit with or without integrated battery package
- AS-interface plug on module
- Limit switch assembly kits for multi function module AgNi, Au, NPN, PNP

EA25 / EA45 / EA120 / EA250:

- Monitoring board with cycle time extension, cycle time monitoring, cycle cycle time monitoring, cycle counter and motor current monitoring
- Positioner board for modulating operation with 4-20 mA Feedback and integrated motor current monitoring
- Profibus DP V0



For further information on the actuators or the accessories, refer to the online product catalog at [www.gfps.com](http://www.gfps.com)

Rev A (3/17)

© Georg Fischer Piping Systems Ltd • Ebnatstrasse 111 • 8201 Schaffhausen • Switzerland • Tel. +41 52 631 11 11 • Fax +41 52 631 28 00 • [www.gfps.com](http://www.gfps.com) Contact: Thomas Küssner • E-Mail: [info.ps@georgfischer.com](mailto:info.ps@georgfischer.com)